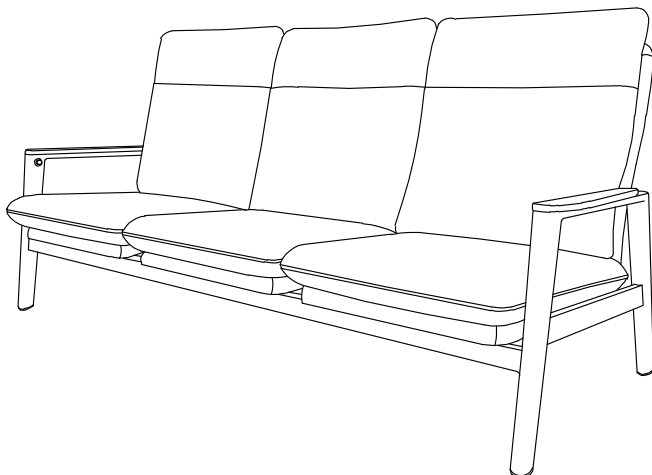


Harbour Outdoor Lounge – 3 Seater

Assembly Instructions



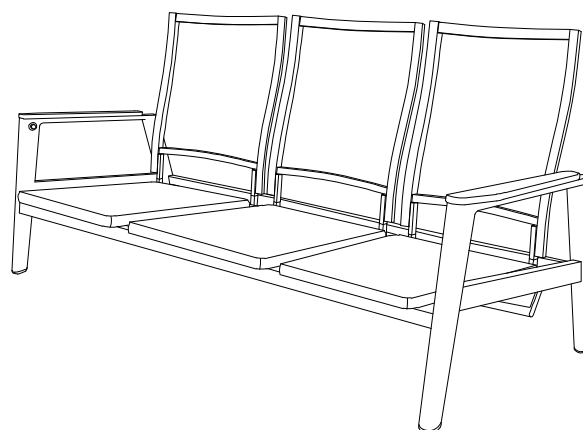
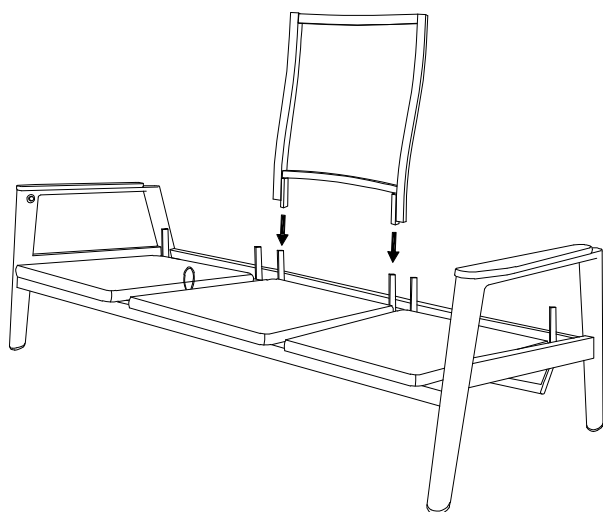
IMPORTANT: Please read these assembly instructions carefully before beginning assembly. Retain for future reference. **CAUTION:** This product is heavy. Assemble with the assistance of another adult. Do not assemble in the presence of children.



A (x1)	B (x3)	C (x3)

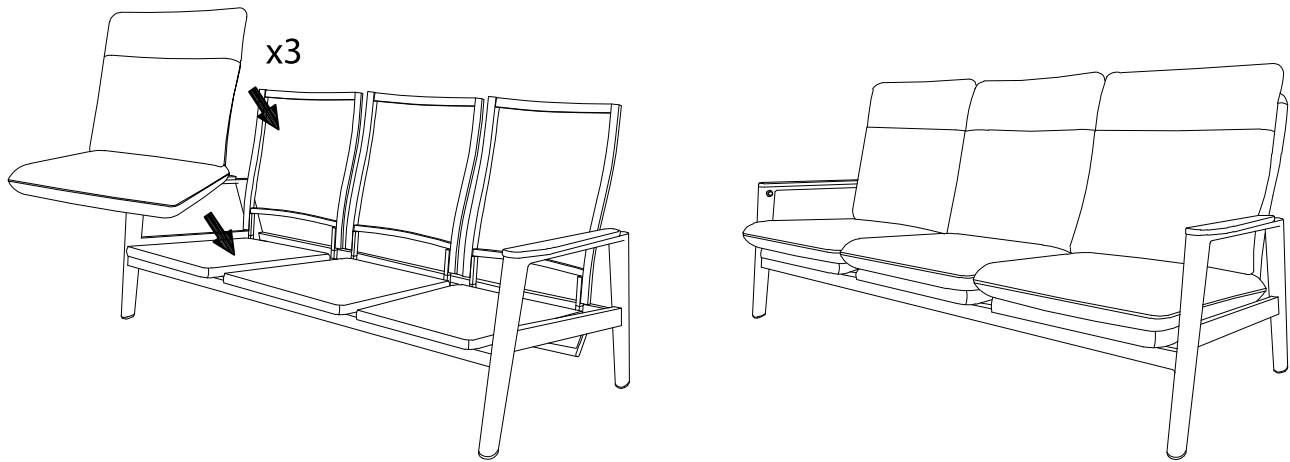
- PLEASE SEPARATE AND IDENTIFY ALL PARTS, MAKING SURE THAT YOU HAVE ALL OF THE PARTS LISTED.
- TO AVOID ANY SCRATCHES DURING ASSEMBLY, PLEASE ASSEMBLE ON A SOFT MAT OR SIMILAR.
- PLEASE ASSEMBLE STEP BY STEP AND FOLLOW THE INSTRUCTIONS.
- WASHERS MUST BE USED WHERE SUPPLIED.
- WHILE EACH BOLT AND NUT IS PROPERLY FASTENED, DO NOT OVER FASTEN IT.
- DO NOT COMPLETELY FASTEN EACH BOLT AND NUT UNTIL ALL THE BOLTS ARE PROPERLY FIXED.

1. Attach the backrests (B) to the seat base (A) by fitting the backrest receivers into the posts at the rear of the seat base.

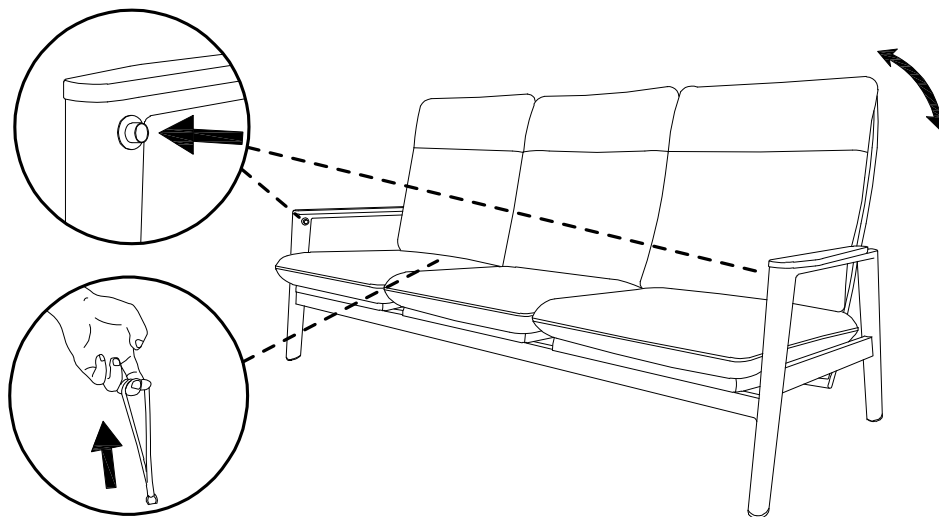


(continued next page)

2. Place the seat cushions (C) into position.



3. Operate the recline mechanism by pressing and holding the button on the inside of the armrests for the outer seats, and by gently pulling the fabric loop between seat cushions for the centre seat



For care and maintenance tips please visit: [synargy.com/product-care](https://www.synargy.com/product-care)